



PORT OF LONDON
AUTHORITY

Port of London Authority Chart Correction Advice Date: 30th October, 2022

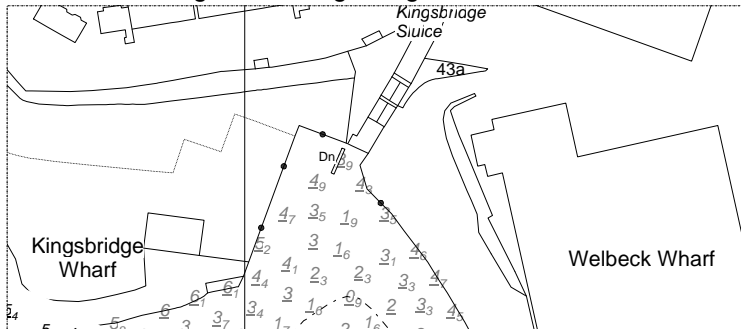


CCA No: 2022/11a

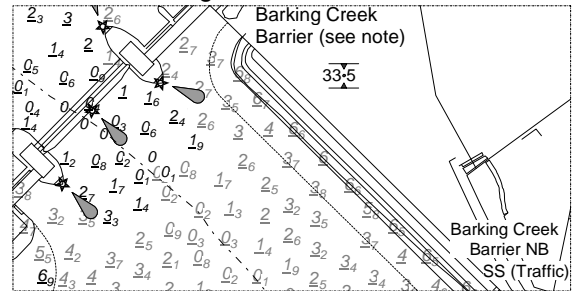
Charts: Barking Creek and Halfway Reach

The accompanying block corrections show:
Miscellaneous changes to Lights and other Aids to Navigation
& Topography

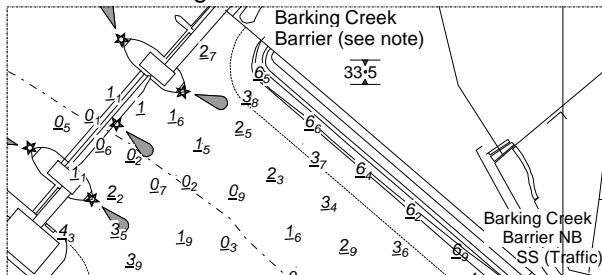
PLA 379 Barking Creek Kingsbridge Sluice



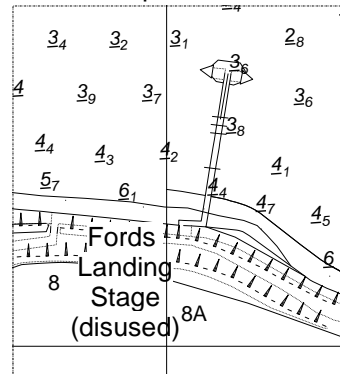
PLA 379 Barking Creek Entrance



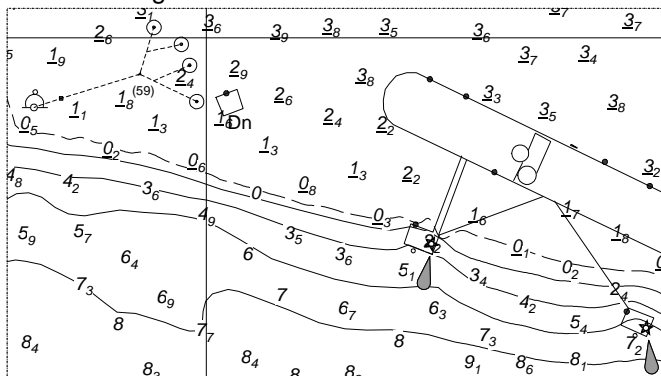
PLA 326 Barking Creek Entrance



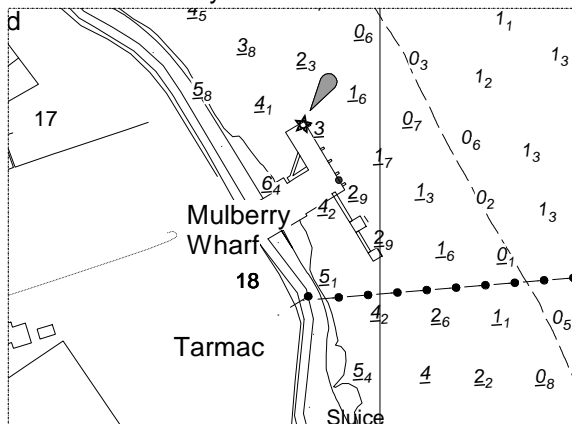
PLA 327 Upstream of Middleton Jetty



PLA 327 Dagenham No7



PLA 328 Mulberry Wharf



For further information see the PLA hydrographic service website:

<http://www.pla.co.uk/Safety/PLA-Hydrographic-Service-Published-Surveys>